

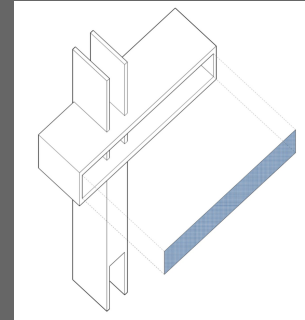
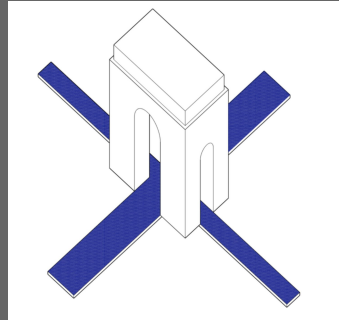
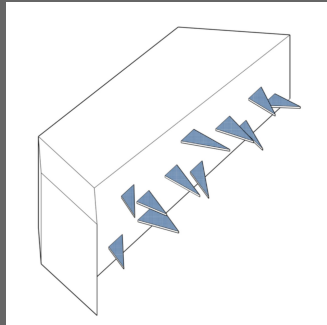
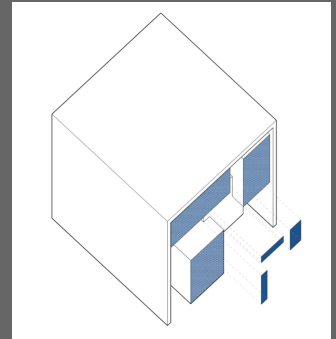
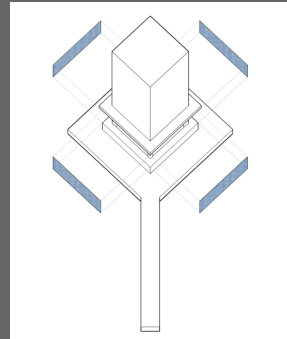
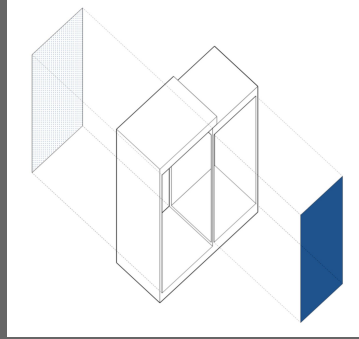
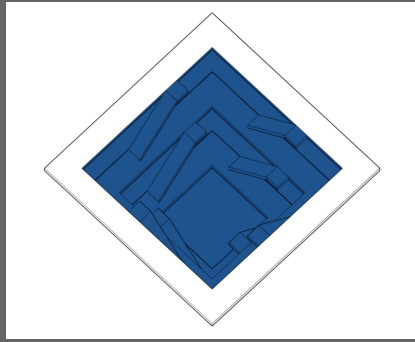


Daniel John

Architecture 243 - Fall



Precedents



Collage, Collisions, and Coincidences

